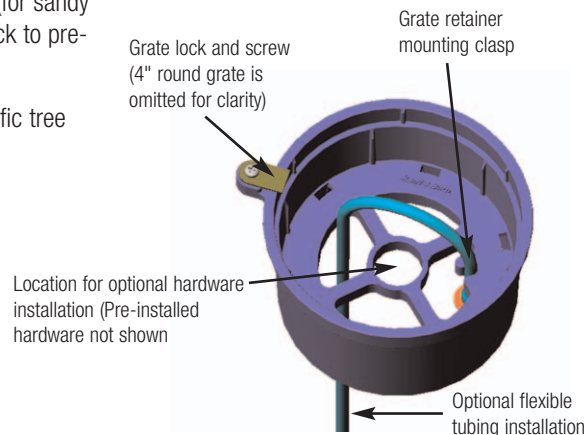
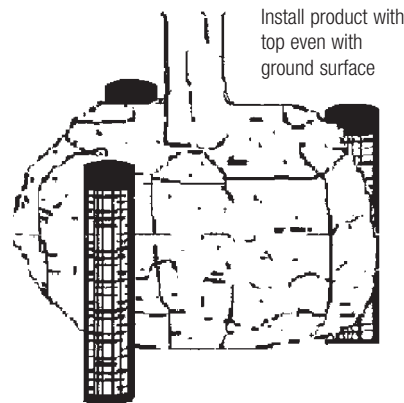
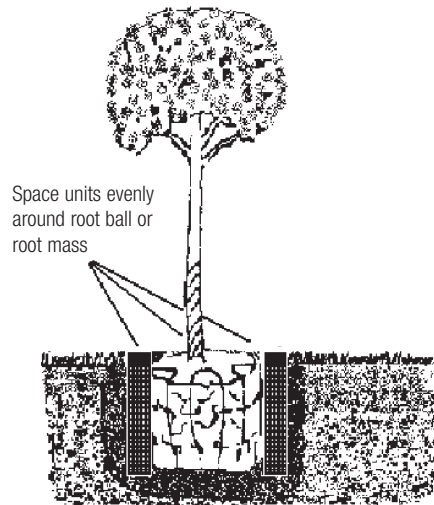


For new or relocated trees:

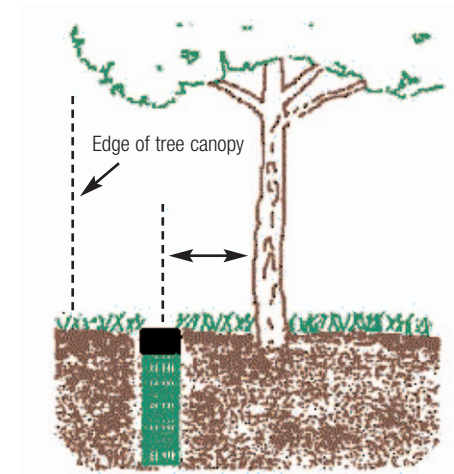
Installation Steps:

1. Install RWS units, evenly spaced and positioned against root ball or root mass. The number of RWS will vary depending on the size of the tree and watering requirements, but a minimum of 2-3 RWS units is recommended per tree.
2. Place units vertically with top even with ground surface. The RWS-M series requires a 18" hole depth. The RWS series requires a 36" hole depth.
3. For all models that are sold without plumbing hardware add irrigation components if desired.
 - (1) Release grate lock with Phillips-head screwdriver.
 - (2) Insert flathead screwdriver, if required, to separate grate from grate retainer.
4. When installing flexible drip tubing, secure tubing into grate retainer mounting clasp, as shown below, with emitter pointed downwards. For all other models with pre-installed hardware, connect to lateral line.
5. Install grate and secure grate lock.
6. Fill area surrounding unit with soil (for sandy soils - purchase the RWS Sand Sock to prevent infiltration).
7. Follow planting guidelines for specific tree species, and for local conditions.



For existing trees:

1. Core out holes to desired depth
2. Position units evenly spaced, half the distance between tree trunk and edge of tree canopy. The number of RWS will vary depending on the size of the tree and watering requirements, but a minimum of 2-3 RWS units is recommended per tree.
3. Place units vertically with top even with ground surface. The RWS-M series requires a 18" hole depth. The RWS series requires a 36" hole depth.
4. For all models that are sold without plumbing hardware add irrigation components if desired.
 - (1) Release grate lock with Phillips-head screwdriver.
 - (2) Insert flathead screwdriver, if required, to separate grate from grate retainer.
5. When installing flexible drip tubing, secure tubing into grate retainer mounting clasp, as shown below, with emitter pointed downwards. For all other models with pre-installed hardware, connect to lateral line.
6. Install grate and secure grate lock.
7. Fill area surrounding unit with soil (for sandy soils - purchase the RWS Sand Sock to prevent infiltration).
8. Follow planting guidelines for specific tree species, and for local conditions.



Rain Bird Corporation
 970 West Sierra Madre Avenue
 Azusa, CA 91702
 Phone: (626) 812-3400
 Fax: (626) 812-3411

Rain Bird Technical Services
 (800) RAINBIRD (U.S. and Canada)

Rain Bird Corporation
 6991 E. Southpoint Rd., Bldg.#1
 Tucson, AZ 85706
 Phone: (520) 741-6100
 Fax: (520) 741-6522

Specification Hotline
 800-458-3005 (U.S. and Canada)

Rain Bird International, Inc.
 145 North Grand Avenue
 Glendora, CA 91741
 Phone: (626) 963-9311
 Fax: (626) 963-4287

www.rainbird.com